

PARTS LIST

NOTICE

THE FOLLOWING PARTS LISTS ARE FURNISHED
FOR IDENTIFICATION AND REFERENCE ONLY.
ORDER REPLACEMENT PARTS DIRECTLY FROM
STOKES.

ALL PART NUMBERS MUST BE CONFIRMED WITH
THE FACTORY TO MAINTAIN UPDATED ITEMS
AND FACTORY INTEGRITY.

Granulator and Associated Parts

Item #	Qty.	Part Number	Description
01	1	E-204-538-032	Stand
02	1	076-001-078	Rotor drive shaft bushing, 1" I.D.
03	1	076-001-078	Worm shaft bushing, 1 1/2" long
04	1	076-001-082	Worm shaft bushing, 2" long
05	1	024-001-018	Worm shaft oil seal
06	1	A-204-539-001	Worm gear shaft bushing
07	1	A-204-539-001	Worm gear shaft bushing
11	1	076-001-204	Rotor drive shaft bushing, 2 3/8" I.D.
12	2*	07-BA -254	Rotor drive shaft oil seal
13	1	C-204-541-004	Gear box cover
14	1	059-005-059	Oil flow window
15	1	D-234-634-001	Gear box cover gasket
17	1	D-213-923-011	Hopper
19	1	C-221-653-001	End bearing
20	1*	076-001-081	Rotor shaft bushing
21	2	A-204-516-002	Screen roller
22	2	A-226-091-002	Screen roller handle
23	4	10-AD -058	Knob for handle
24	2	A-221-638-003	Ratchet wheel
26	2	A-204-508-004	Pawl
28	2#	B-213-921-001	Screen clamp assembly (consists of 28A,B,C,D)
28A	2	A-204-512-001	Screen clamp spring
28B	2	A-204-513-002	Screen clamp stud
28C	2	A-204-511-001	Screen clamp block
28D	2	000-002-182	Screen clamp tubing, 8 3/4" long
29	1*	C-204-553-001	Rotor (6 Bar)
29	1*	C-204-553-002	Rotor (3 Bar)
29A	1*	A-204-559-001	Rotor shaft
31	1	B-204-535-009	Rotor drive shaft
34	1	004-001-007	Retaining ring
35	1	A-204-490-001	Segment gear shaft
36	1	C-221-645-001	Segment gear
37	1	A-204-519-001	Square washer
38	1	B-204-515-002	Connecting rod
39	2	B-204-492-001	Connecting rod stud
40	1	B-204-491-003	Worm gear shaft
41	1	B-221-648-003	Crank

* Recommended Spare

Not Shown on Parts Drawing

Granulator and Associated Parts (Cont.)

Item #	Qty.	Part Number	Description
42	1	B-221-647-002	Worm gear
43	1	B-243-193-001	Worm shaft
44	1	B-204-394-003	Worm
45	1	018-002-005	Thrust bearing
46	1	085-006-154	Thrust washer
46A	1	004-001-007	Retaining ring
47	1	08-EZ -025-BA	Pulley, 6 1/2" O.D.
47A	1#	08-EQ -004-P	Tapered bushing (for Item # 47)
48	1	08-EZ -026-BA	Pulley, 3" O.D.
48A	1#	08-EQ -010-B	Tapered bushing (for Item # 48)
49	1*	085-026-188	V-belts (set of 2)
50	1	C-221-654-007	Belt guard
51	1	A-217-197-005	Belt guard stud
52	1	A-217-197-006	Belt guard stud
53	1	000-001-027	Motor bracket shaft, 16 7/8" long
54	1	000-001-027	Motor support shaft, 16 7/8" long
55	1	A-244-352-008	Motor bracket
55A	1	A-290-735-002	Motor support
56	2	A-226-090-004	Motor support eyebolt
57	8	020-001-011	Collar
58	1	15-FM -093-DQ	Motor starter
59	1	C-295-870-001	Motor enclosure cover
60	2	B-295-869-001	Motor enclosure cover bracket
61	1	10-AG -038	Rigid caster
62	2	10-AG -039	Swivel caster
63	1	052-001-014	Oil level window
64	1	A-204-531-001	Link
65	1	A-204-529-001	Piston
66	1	A-204-530-001	Cylinder
67	1	03-DAQ-003-A	Coupling
68	1	04-CH-011	Check Valve
69	1	000-001-602	Tubing, 1/4" O.D., 24" long
70	2	03-LZ -003	Connector, 1/4" tube to 1/8" N.P.T.
71	5	059-005-020	Adaptor for compression bushing
71A	5#	059-005-030	Compression bushing
71B	5#	059-005-032	Compression sleeve
72	1	03-DQ -001-D	Tee, 1/8" N.P.T.

* **Recommended Spare**

Not Shown on Parts Drawing

Granulator and Associated Parts (Cont.)

Item #	Qty.	Part Number	Description
73	1	01-AQ -003	Lifting eyebolt
74	1	000-002-518	Tubing, 5/32" O.D., 32" long
75	1	16-AC -027-AI5	Drive motor
76	1	A-292-629-003	Seal plate
77	1	C-204-561-009	Safety grill
78	1	A-294-381-002	Screen safety switch arm
79	1	A-294-382-001	Screen safety switch shoulder screw
80	3	15-DCA-041	Thermal overload heater
81	2	15-BD -016	Switch
82	1	15-LE -046	Screen safety switch roller arm
83	1	A-298-753-001	Screen safety switch bracket
84	1	15-LE -117	Grill safety switch roller actuator
85	1	A-295-282-001	Grill safety switch bracket

Hopper Lid (Optional)

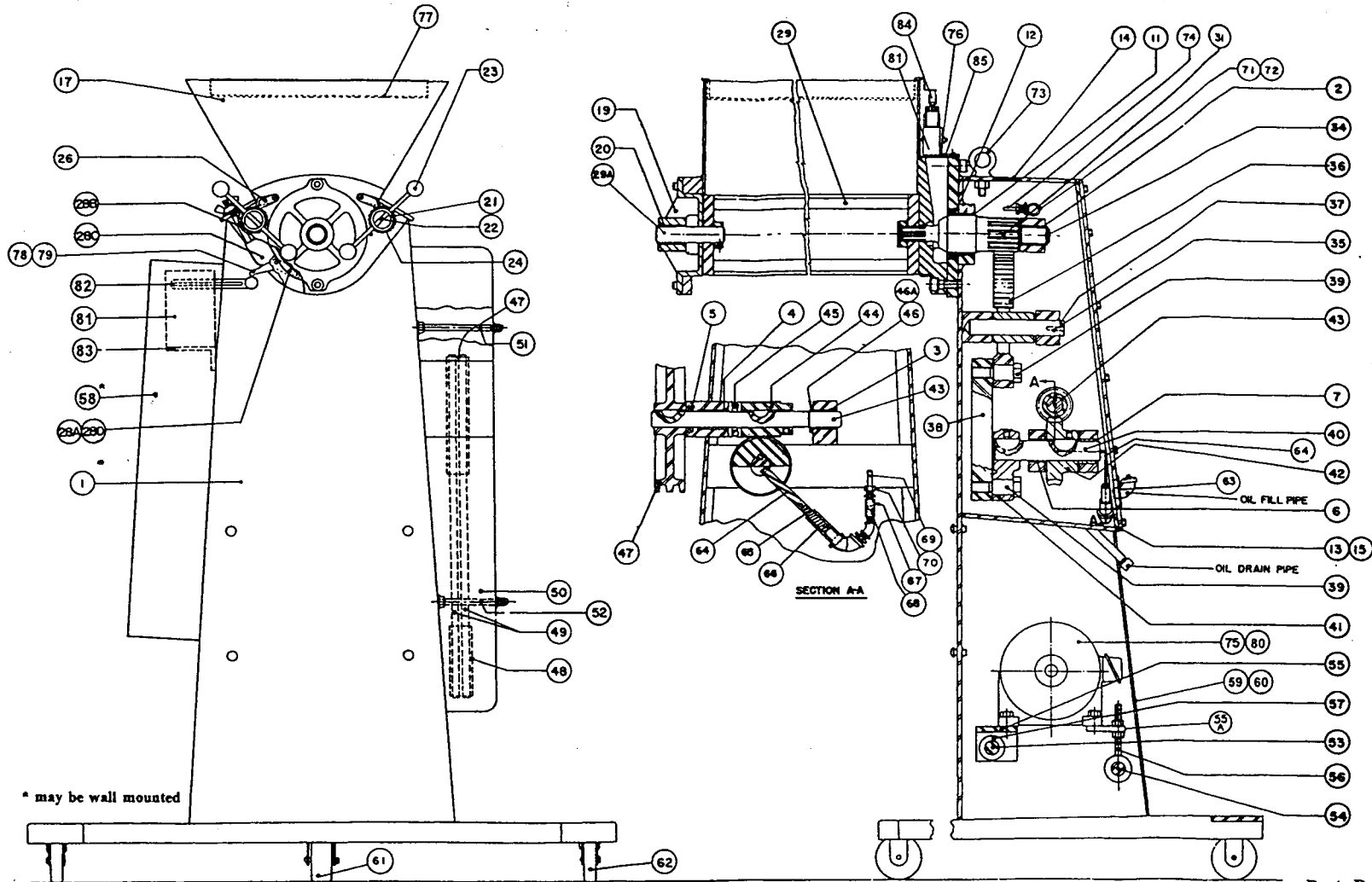
Qty.	Part Number	Description
1#	C-204-496-001	Hopper Lid
6#	000-062-002	Gasket, White Foam
1#	01-ZD -120	Latch, Over Center Draw
2#	A-295-500-001	Lid Stop

Discharge Funnels (Optional)

Qty.	Part Number	Description
1#	C-204-560-001	Round Discharge Funnel, 304 SST, 4" Opening
1#	C-204-560-023	Square Discharge Funnel, 304 SST, 4" Opening
1#	B-204-560-024	Square Discharge Funnel, 316 SST, 4" Opening
5#	000-062-002	Gasket, White Foam
1#	01-ZD -120	Latch, Over Center Draw

* Recommended Spare

Not Shown on Parts Drawing



Parts Drawing:
Model 43-6: Oscillating Granulator